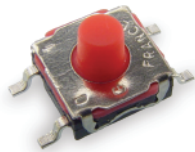


KSC4D Series Sealed Detect Switch for SMT



Features/Benefits

- Soft actuator
- J or G terminations
- Tape & reel
- IP 67
- RoHS compliant and compatible

Typical Applications

- Automotive
- Cellular phones
- Industrial electronics
- Computer infrastructure and IT

Specification

FUNCTION: momentary action compatible with permanent actuation
 CONTACT ARRANGEMENT: 1 make contact = SPST, N.O.
 TERMINALS: J bend & Gullwing type for SMT
 Compatible with permanent actuation

Mechanical

Type	Operating force FA Newtons	Operating life (operations)	Travel (mm)
KSC4D1J50SH	1,0 - 3,0	500,000	0,6 ± 0,25
KSC4D2J50SH	1,0 - 3,0	2,000,000	
KSC4D350SH	1,0 - 3,0	500,000	

Electrical

	Silver	Gold
MAXIMUM POWER:	1 VA	0.2 VA
MAXIMUM VOLTAGE:	32 VDC	32 VDC
MINIMUM VOLTAGE:	20 mV	20 mV
MAXIMUM CURRENT:	50 mA	10 mA
MINIMUM CURRENT:	1 mA	0.1 mA
DIELECTRIC STRENGTH (50 Hz, 1 min.): ≥ 250 V		
CONTACT RESISTANCE: ≤ 100 mΩ		
INSULATION RESISTANCE (100 V): ≥ 10 ⁹ Ω		
BOUNCE TIME: ≤ 1 ms		

Electrical

	Silver	Gold
OPERATING TEMPERATURE:	-40°C to 85°C	-40°C to 125°C
STORAGE TEMPERATURE:	-55°C to 85°C	-55°C to 125°C

Process

SOLDERING:

- Infrared Reflow according to free soldering process with IEC 61760-1.

Packaging

Reels of 1,000 pieces. Dimensions of reels according to EIA RS481 or IEC 60286-3. External diameter 330 mm ± 2 mm.

NOTE: Part numbers listed above do not represent all possible configurations. For information on specific and custom switches, consult Customer Service Center.

This data sheet does not provide enough information for applications which require a certain level of quality or safety such as automotive, medical systems, safety equipment. Please contact your sales representative to get contractual specification package.

How To Order

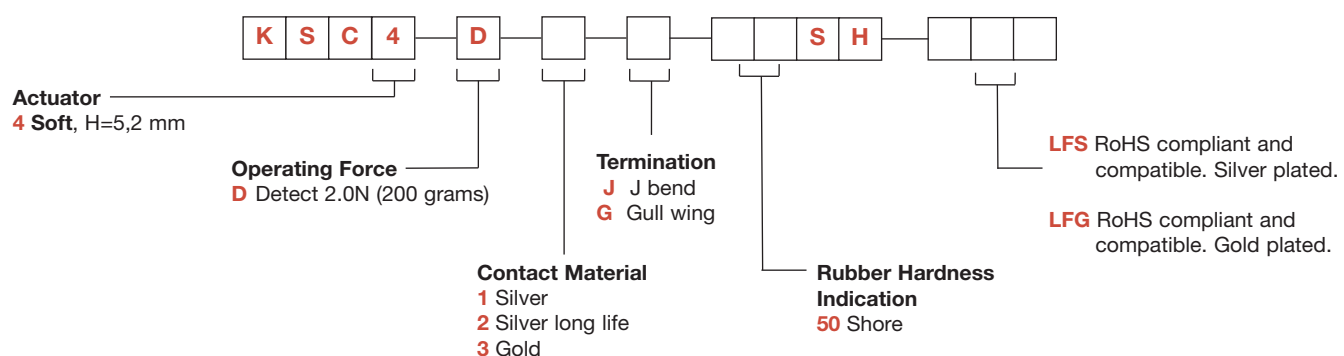
Our easy build-a-switch concept allows you to mix and match options to create the switch you need. To order, select desired option from each category and place it in the appropriate box.

However, please note that all the combinations of these options are not feasible.

For any part number different from those listed above, please consult your local representative.

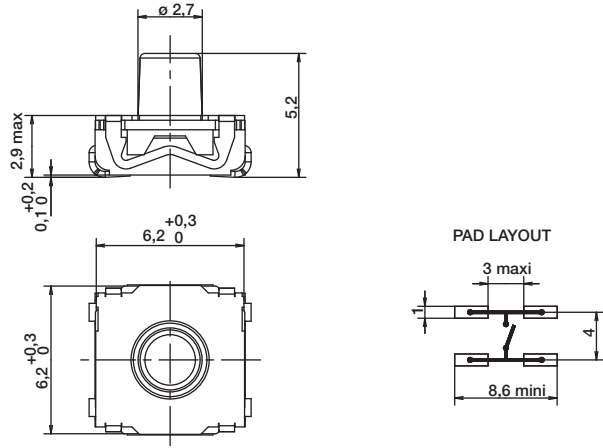


Detect

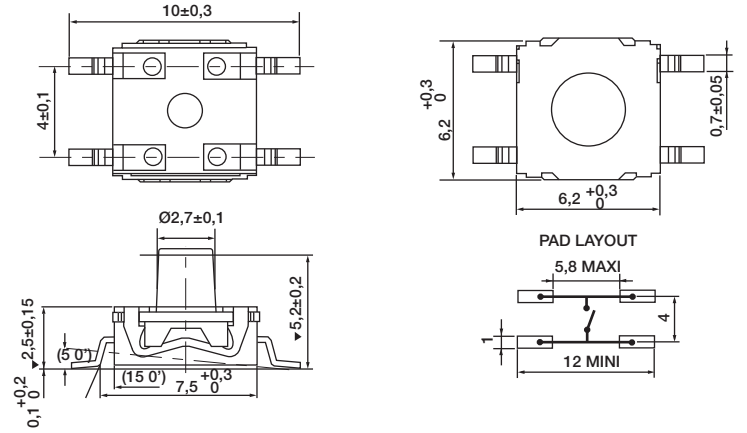


KSC4D Series Sealed Detect Switch for SMT

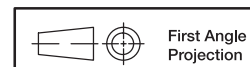
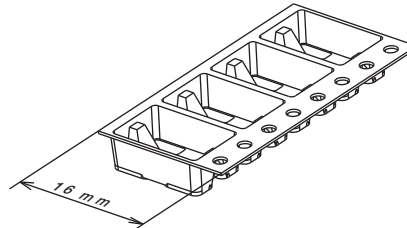
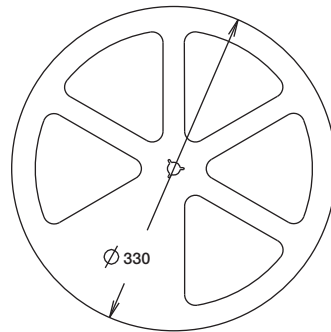
KSC4D1J SOFT, 5,2 mm high



KSC4D1G SOFT, 5,2 mm high



TAPE AND REEL



First Angle
Projection

Dimensions are shown: mm
Specifications and dimensions subject to change



Detect